

Indoor PTZ Recessed Dome Enclosure

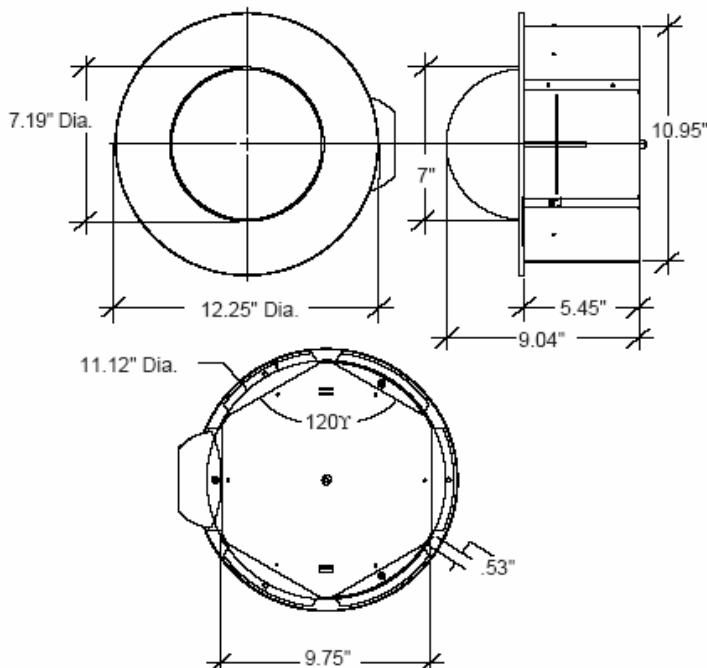
EE-ENC-14001 / EE-ENC-14002

Description

This low profile indoor ceiling housing features a 7" dome, which accommodates standard body fixed cameras up to 8" in length. An opaque liner hides the direction of the camera in both the clear and tinted domes. The upper body is made of steel, and a white powder coat trim ring gives the MR7 a clean, streamlined look.

Key Features

- 7" dome for easy installation and servicing from below the ceiling
- Housing extends only 3.5" below ceiling
- Camera can be mounted on either side of fixed mount camera bracket
- Accepts standard body fixed camera and lens (up to 8" in length)
- Includes a decorative trim ring with quick-release pressure springs
- Plenum rated metal top
- Includes black liner with pre-cut viewing window



Technical Specifications

Models	EE-ENC-14001: Clear dome viewing window EE-ENC-14002: Tinted dome viewing window (1 F-stop light reduction)
Construction Material	Back box: 18- and 20-gauge steel Dome: free-blown cell-cast acrylic 19-gauge steel trim ring (white powder coat finish)
Camera Bracket	Included, fixed mount
Mounting	In sheetrock or drop ceilings Three rotating support arms for adjustment to the ceiling material thickness
Steel Top Dimensions	5.5" (h) x 11" (d)

Connection – Detection – Response